

Chain Hoist

Catalogue

NCH Series



NCH Series Electric Chain Hoists

Product Superiority:

- > Brand new contracted design
- > Full-sealed body
- > New-design die-casting aluminum shell
- > Light weight
- > High efficiency transmission
- > Maintenance free
- > Easy operation, light and practical
- > Long service time
- > Safe and reliable



▲
F type
Fixed Electric Chain Hoist



▲
M/E type

Monorail Electric Chain Hoist
Travelling Electric Chain Hoist



Chain Hoist



Choose according to the need of light and medium duty application.

Tailor Made For Customer

NANTE NCH Electric Chain Hoist is compact and reliable. The modular design enables a wide application in complex occasions and customization. Because modularization brings a flexible combination of different lifting capacities, different lifting speeds and working levels, and outstanding performance for quick transportation and precise assembly.

Excellent Performance

The main driving component in hoists of this series is designed to be maintenance free. The electro-magnetic disc brake can reduce the running noise effectively. The standard and humanized design not only improves the operation performance, but also reduces the maintenance cost greatly.

Manufactured In Accordance With International Standard

NANTE NCH Electric Chain Hoist is compact, reliable, durable and suitable for a wide range of applications. The hoist of this series has adopted the Germany design concept. NCH Electric Chain Hoists are designed and manufactured fully in accordance with European FEM, EN and Germany DIN standards as well as the ISO and Chinese GB/GB standards.

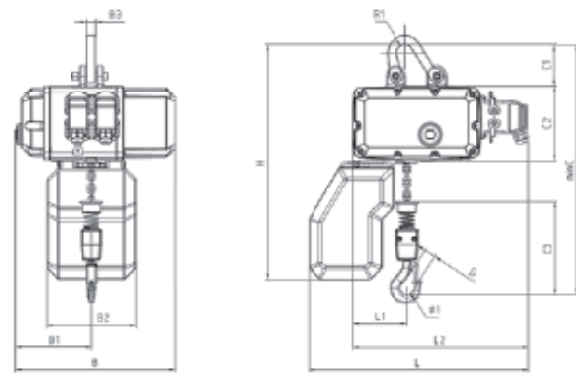


Dimension



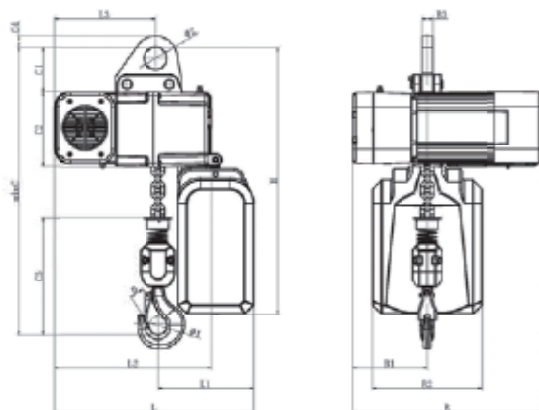
Dimension of NCH1/NCH2-F Types (Fixed)

Model	NCH1051	NCH1051-2	NCH1052	NCH2051	NCH2071	NCH2072
B, mm	348.5	348.5	348.5	381.5	381.5	381.5
B1, mm	166.5	166.5	166.5	185	185	185
B2, mm	195	195	195	195	195	195
B3, mm	20	20	20	24	24	25
H(Size 1), mm	512	512	503	547	547	557
H(Size 2), mm	662	662	653	697	697	707
R1, mm	19	19	23	20	20	27.5
L, mm	478.5	478.5	478.5	526	526	526
L1, mm	115	115	139	118.5	118.5	152
L2, mm	383	383	383	413	413	413
Ø1, mm	30	34	40	34	40	48
D, mm	24	27	32	27	32	38
C, mm	460	475	525.5	505	519	622
C1, mm	91	91	80.5	104	104	114
C2, mm	162	162	162	180.5	180.5	180.5
C3, mm	204	220.5	283	220.5	234.5	327.5



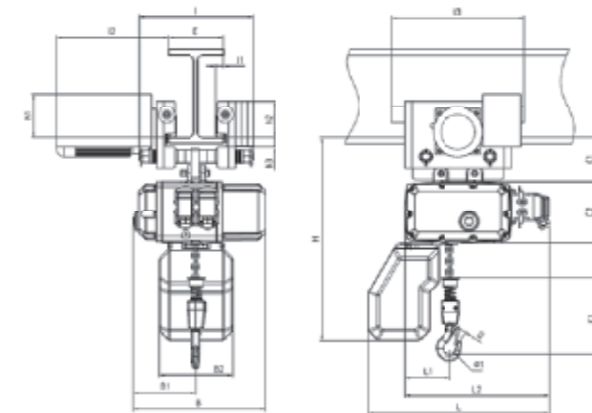
Dimension of NCH5-F Types (Fixed)

Model	NCH5091	NCH5092	NCH5111	NCH5112
B, mm	532	532	532	532
B1, mm	205.5	205.5	205.5	205.5
B2, mm	300	300	300	300
B3, mm	30	30	30	30
H, mm	733.5	733.5	733.5	733.5
Ø2, mm	60	60	60	60
L, mm	549	549	549	549
L1, mm	270	313	267	313
L2, mm	432	432	432	432
L3, mm	278	238	278	238
Ø1, mm	48	50	50	56
D, mm	38	40	40	45
C, mm	643	720	650	754
C1, mm	121	121	121	121
C2, mm	205	205	205	205
C3, mm	316	393	323	427
C4, mm	30	30	30	30



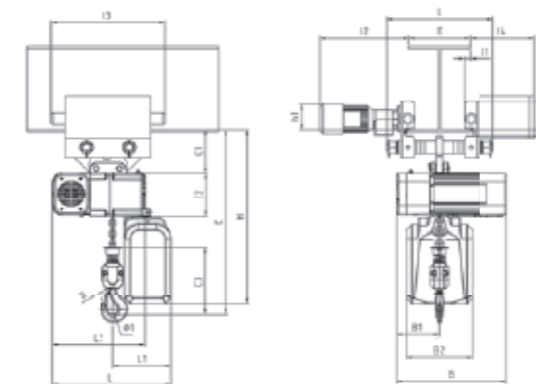
Dimension of NCH1/NCH2-M/E Types (Monorail / Travelling)

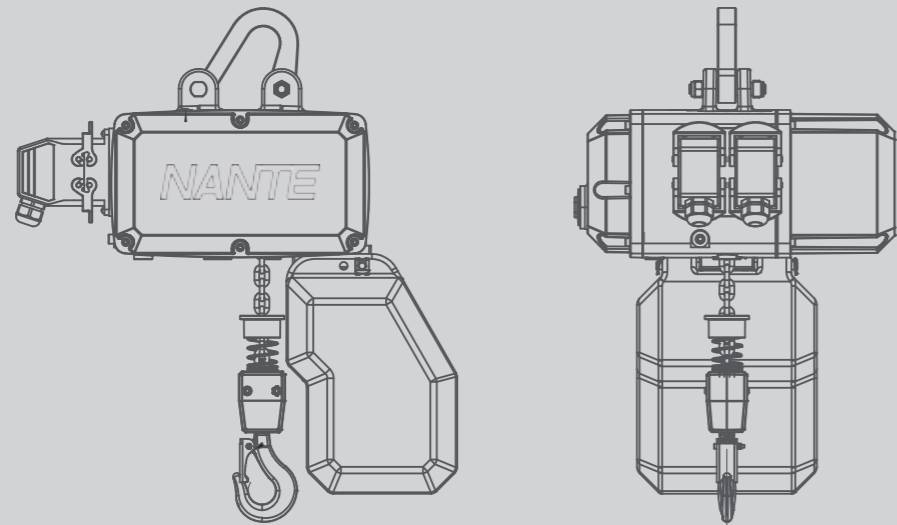
Model	NCH1051-1	NCH1051-2	NCH1052	NCH2051	NCH2071	ECH2072
B, mm	348.5	348.5	348.5	381.5	381.5	381.5
B1, mm	166.5	166.5	166.5	185	185	185
B2, mm	348.5	348.5	348.5	381.5	381.5	381.5
I, mm	360	360	360	360	360	460
I1, mm	20	20	20	20	20	27
I2, mm	295	295	295	295	295	305
I3, mm	348	348	348	348	348	402
h1, mm	115	115	115	115	115	130
h2, mm	97	97	97	97	97	102
h3, mm	20	20	20	20	20	24
E, mm	50-230	50-230	50-230	50-230	50-230	70-300
H(Size 1), mm	540	540	540	562	562	608
H(Size 2), mm	690	690	690	712	712	758
Ø1, mm	30	40	40	34	40	48
D, mm	24	32	32	27	32	38
L, mm	478.5	478.5	478.5	526	526	526
L1, mm	115	139	139	118.5	118.5	152
L2, mm	383	383	383	413	413	413
C, mm	485	562.5	562.5	521	535	677
C1, mm	117.5	117.5	117.5	120	120	169
C2, mm	162	162	162	180.5	180.5	180.5
C3, mm	204	283	283	220.5	234.5	327.5



Dimension of NCH5-M/E Type (Monorail / Travelling)

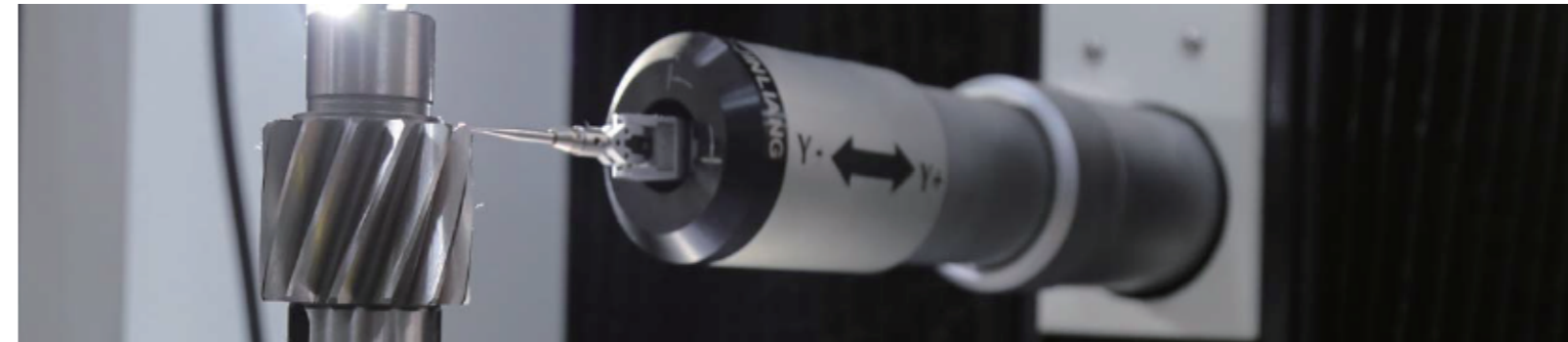
Model	NCH5091	NCH5092	NCH5111	NCH5112
B, mm	532	532	532	532
B1, mm	205.5	205.5	205.5	205.5
B2, mm	300	300	300	300
I, mm	500	500	500	500
I1, mm	27	27	27	27
I2, mm	420	420	420	420
I3, mm	526	526	526	526
h1, mm	119	119	119	119
h2, mm	130	130	130	130
h3, mm	30	30	30	30
E, mm	80-320	80-320	80-320	80-320
H, mm	811	811	811	811
Ø1, mm	48	50	50	56
D, mm	38	40	40	45
L, mm	549	549	549	549
L1, mm	270	313	267	313
L2, mm	431	431	431	431
C, mm	725	800	728	832
C1, mm	199	199	199	199
C2, mm	205	205	205	205
C3, mm	316	393	323	427





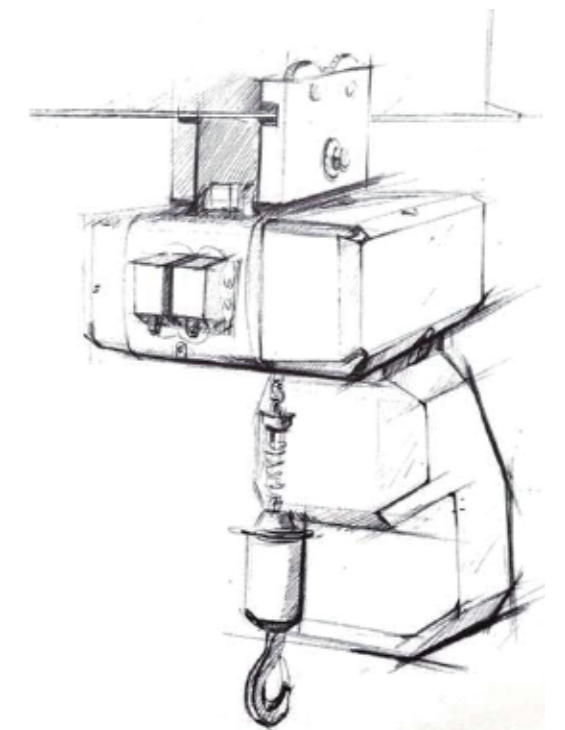
Selection Table of NCH Electric Chain Hoist

Load capacity (Kg)	FEM	ISO	Hoist type	Power (KW)	speed (m/min)	Number of falls
250	3m	M6	NCH105102508	0.75/0.18	8/2	1
250	2m	M5	NCH105102516	0.75/0.18	16/4	1
320	2m	M5	NCH105103208	0.75/0.18	8/2	1
320	2m	M5	NCH105103216	0.75/0.18	16/4	1
500	2m	M5	NCH105105008	0.75/0.18	8/2	1
500	3m	M6	NCH207105008	1.9/0.45	8/2	1
500	2m	M5	NCH205105016	1.9/0.45	16/4	1
630	2m	M5	NCH207106308	1.9/0.45	8/2	1
630	2m	M5	NCH205106316	1.9/0.45	16/4	1
1000	2m	M5	NCH105210004	0.75/0.18	4/1	2
1000	2m	M5	NCH207110008	1.9/0.45	8/2	1
1000	2m	M5	NCH509110016	3.5/0.88	16/4	1
1600	2m	M5	NCH207216004	1.9/0.45	4/1	2
1600	2m	M5	NCH509116008	3.5/0.88	8/2	1
2000	2m	M5	NCH207220004	1.9/0.45	4/1	2
2000	2m	M5	NCH511120006	3.5/0.88	6.3/1.6	1
2000	2m	M5	NCH511120008	3.5/0.88	8/2	1
2500	2m	M5	NCH509225004	3.5/0.88	4/1	2
2500	2m	M5	NCH511125006	3.5/0.88	6.3/1.6	1
3200	2m	M5	NCH511232003	3.5/0.88	3.2/0.75	2
3200	2m	M5	NCH509232004	3.5/0.88	4/1	2
4000	2m	M5	NCH511240004	3.5/0.88	3.2/0.75	2
4000	2m	M5	NCH511240003	3.5/0.88	4/1	2
5000	2m	M5	NCH511250003	3.5/0.88	3.2/0.75	2
7500	2m	M5	NCH511375002	3.5/0.88	2.1/0.5	3



Standard Configuration:

- > Two-speed lifting motor, silver gray body
- > Detachable upper lifting huck
- > Supply voltage: 380V/3P/50Hz
- > Control voltage: 48V
- > Limit switch
- > Black chain box
- > Hook and chain(lifting height :3 m)





Overload Clutch

Integrated on the drive gear shaft
Overload protection function: keep torque safe.
Up to 1.4 times of safe load capacity
Maintenance-free design, adjustable overload torque



Redution Gearbox

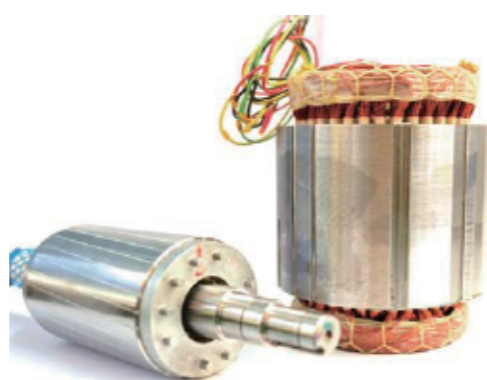
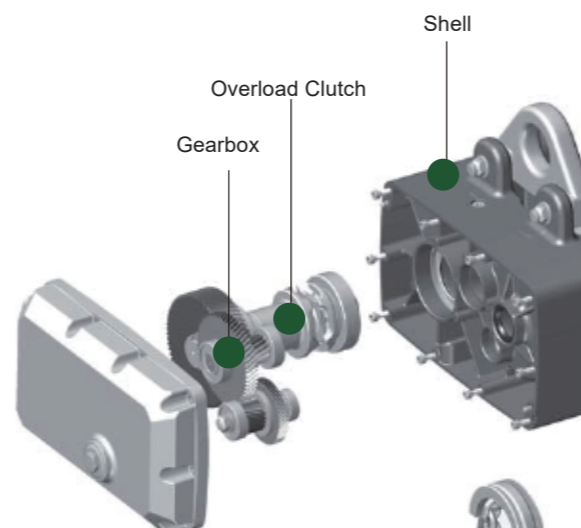
Helical-gear design, high transmission efficiency, low noise
Process with hardened gear, heat treatments after grinding,
accuracy grade of gear: 6
Full oil bath lubrication, ultra-low noise and ultra-long life
Perfect meshing and efficient transmission



Brake

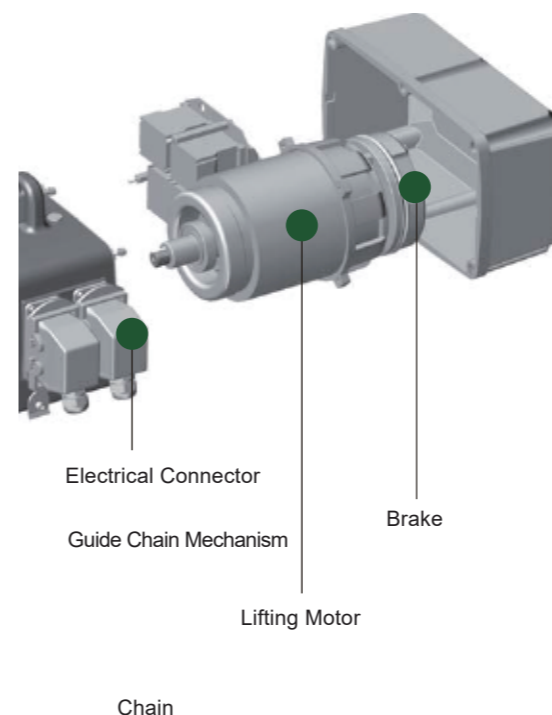
Electromagnetic disc brake is arranged at the end of the
drive gear shaft
Asbestos free
Maintenance-free design, service life: 1 million brakes
Fully enclosed, high protection grade
Suitable for severe conditions

COMPONENT



Lifting Motor

Light weight, small in size, rotation speed: up to 3000 rpm
High starting torque, high superior performance
Motor load: 60%, suitable for high-frequency lifting
Protection grade: IP55, insulation grade: Class F



Shell

High strength alloy die-casting and moulding in one
Good corrosion resistance and air-tightness
Special suspension design
Keeps the box body from the lifting load
Material of electric shell: engineering plastic
Light weight and good heat dissipation



Electrical Connector

Standard Aluminum connectors
Mis-connection proof and leakage proof
Ten core connector, easy control and power supply
Plug and play, convenient and efficient



Guide Chain Mechanism

Five-socket guide chain wheel
Hardening treatment on surface
Smoother and quieter
Suitable for aggressive working environment



Chain

Special high-strength alloy steel carburized chain
Zinc coating on surface
Wear resistance and corrosion resistance
High safety coefficient