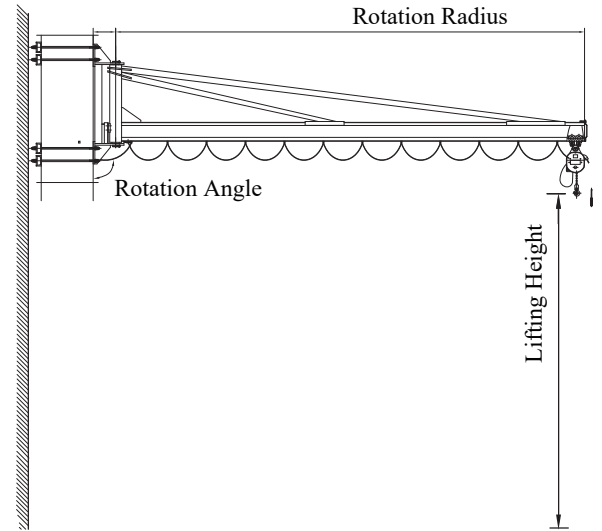
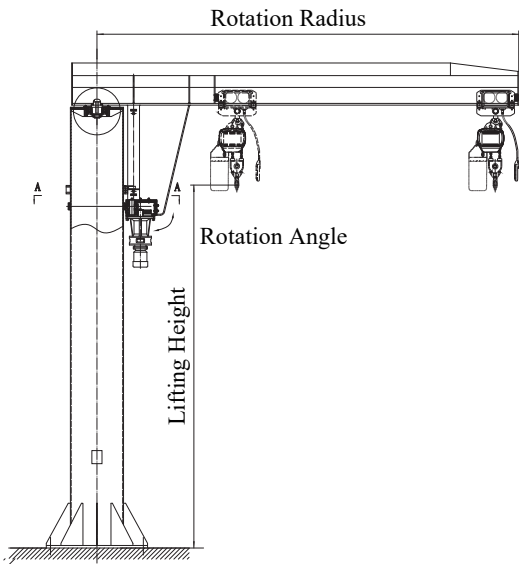


Jib Crane



Capacity		500kg	1000kg	2000kg	3000kg	5000kg
Rotation Radius	m	2 ~ 8	2 ~ 6	2 ~ 6	2 ~ 8	2 ~ 8
Height of Lifting	m	2 ~ 10	2 ~ 10	2 ~ 10	2 ~ 10	2 ~ 10
Rotational Angle	m	180°, 270°, 360°	180°, 270°, 360°	180°, 270°, 360°	180°, 270°, 360°	180°, 270°, 360°
Control Method		Pendent or Remote control				
Rotation Method		Manual or Motorized		Motorized		
Lifting Speed	m/min	Single Speed: 10 or 4 Double Speed: 10/2.5 or 4/1	Single Speed: 10 or 5 Double Speed: 10/2.5 or 5/1.25	Single Speed: 8 or 5 Double Speed: 8/2 or 5/1.25	Single Speed: 5 Double Speed: 5/1.25	Single Speed: 2.5 Double Speed: 2.5/0.63
Trolley Speed		0~20	0~20	0~20	0~20	0~20
Rotation Speed		0.4~0.8	0.4~0.8	0.4~0.8	0.4~0.8	0.4~0.8