



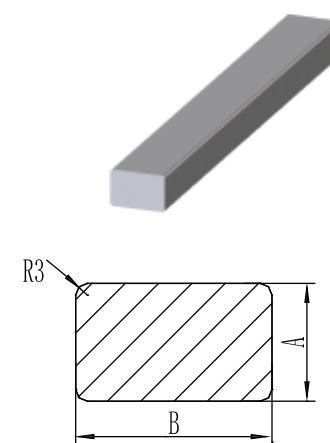
Crane Rail

Crane Long Traveling Rail

Catalogue

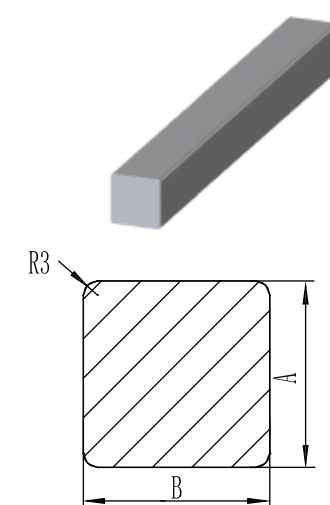
Flat Bar, P Rail, QU Rail, A Rail

Crane Rail
Flat Bar



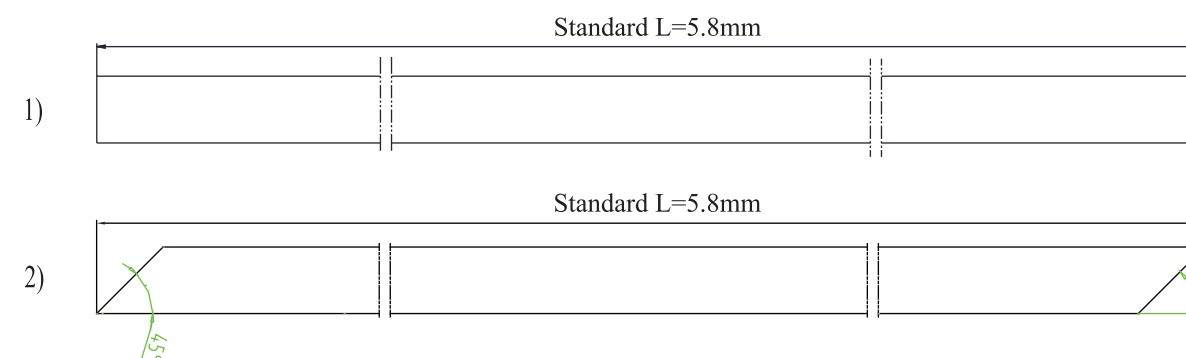
Type	B	A	Weight (kg/m)
Standard			
40×30	40	30	9.42
50×30	50	30	11.78
50×40	50	40	15.70
60×40	60	40	18.84
70×40	70	40	21.98
80×60	80	60	37.68
100×60	100	60	47.11
120×80	120	80	75.37

Other sizes are available

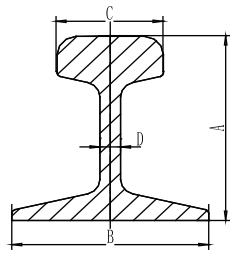


Type	B	A	Weight (kg/m)
Standard			
40×40	40	40	12.56
50×50	50	50	19.63
70×70	70	70	38.47
80×80	80	80	50.25
Customized			
30×30	30	30	7.07
60×60	60	60	28.26
90×90	90	90	63.59
100×100	100	100	78.51

Flat Bar Cuting Design

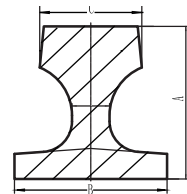
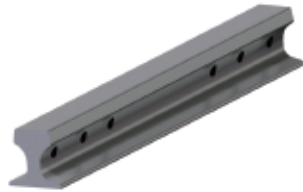


Crane Rail
P Series



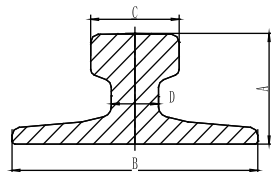
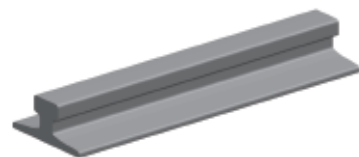
Type	C	B	A	D	Weight (kg/m)	Standard
P18	40	80	90	10	18.06	YB222-63
P24	51	92	107	10.9	24.46	YB222-63
P22	50.8	93.66	93.66	10.72	22.3	GB11264-89
P30	60.33	107.95	107.95	12.3	30.1	GB11264-89
P38	68	114	134	13	38.72	GB183-63
P43	70	114	140	14.5	44.65	GB183-63
P50	70	132	152	15.5	51.51	GB183-63

Crane Rail
QU' Series

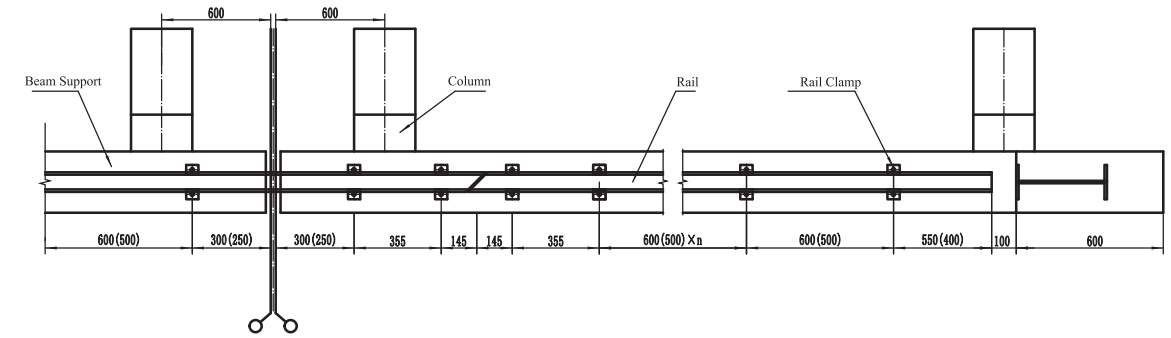


Type	C	B	A	D	Weight (kg/m)	Standard
QU70	70	120	120	28	52.8	GB3426-82
QU80	80	130	130	32	63.69	GB3426-82
QU100	100	150	150	38	88.96	GB3426-82
QU120	120	170	170	44	118.1	GB3426-82

Crane Rail
A Series

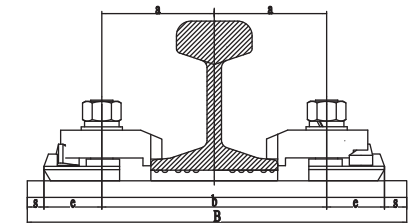
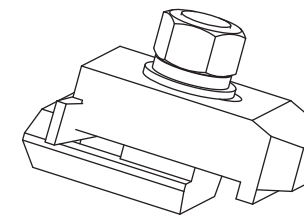


Type	C	B	A	D	Weight (kg/m)	Standard
A45	45	125	55	24	22.2	DIN536
A55	55	150	65	31	32	DIN536
A65	65	175	75	38	43.5	DIN536
A75	75	200	85	45	56.6	DIN536
A100	100	200	95	60	75.2	DIN536
A120	120	220	105	72	101.3	DIN536
A150	150	220	150	80	151.3	DIN536



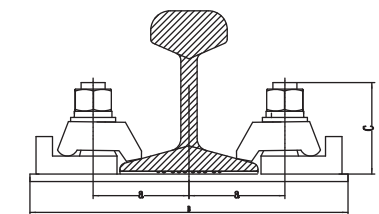
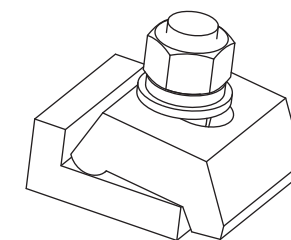
Rail Clamp Quantity $n=1.03*(\text{Traveling length } L*2/0.5 \text{ or } 0.6)$

Crane Rail Accessories - Welded-base Rail Clip
WJK Series



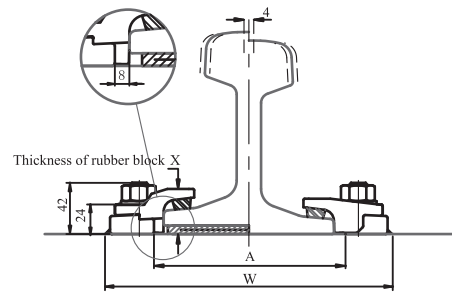
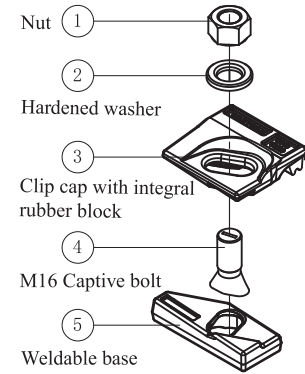
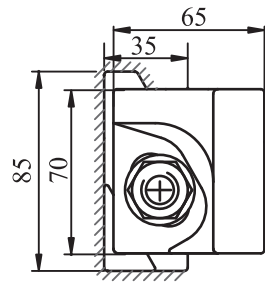
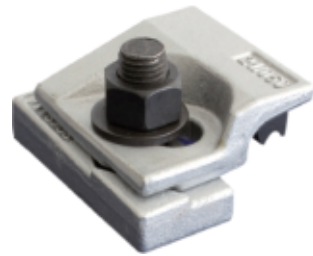
Rail Size	a (mm)	b (mm)	2e e=62 (mm)	2s s=10(5) (mm)	B B=b+2e+2s (mm)
P38	97	194	124	20(10)	338(328)
P43	97	194			338(328)
P50	106	212			356(346)
P60	115	230			374(364)
QU70	100	200			344(334)
QU80	105	210			354(344)
QU100	115	230			374(364)
QU120	125	250			394(384)

Crane Rail Accessories - Welded-base Rail Clip
CGWK Series



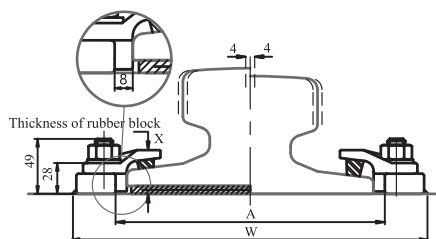
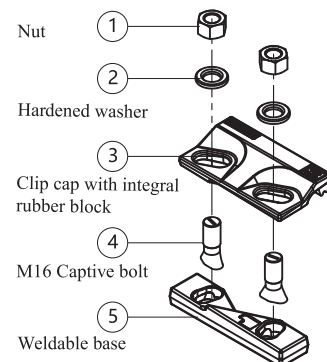
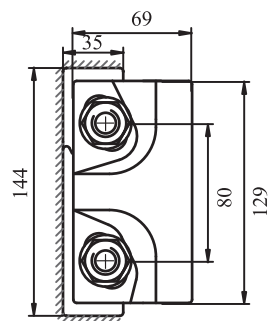
Rail Size	a (mm)	B (mm)
P22	64	204
P24	63	202
P30	71	218

Crane Rail Accessories - Welded-base Rail Clip
9116-08 Series



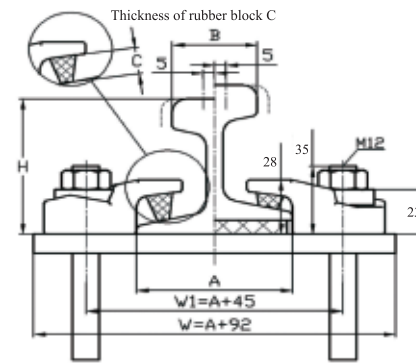
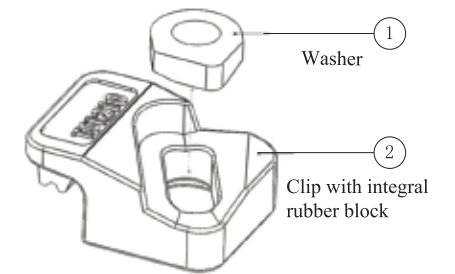
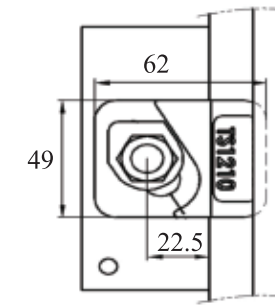
Rail Size	A (mm)	Min.W (mm)	X1 with Pad (mm)	X1 w/o Pad (mm)
P38	114	214		
P43	114	214		
P50	132	232		
QU70	120	220	14	21
QU80	130	230		
A55	150	250		
A65	175	275		
A75	200	300		
A100	200	300		

Crane Rail Accessories - Welded-base Rail Clip
9216-08 Series



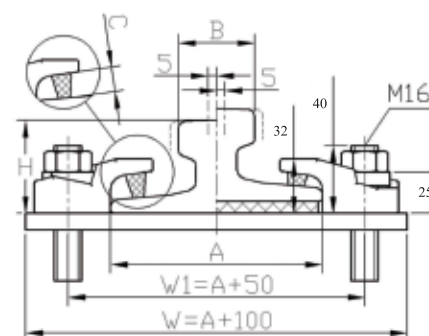
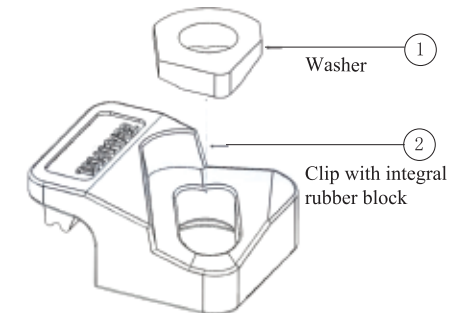
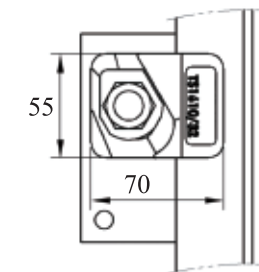
Rail Size	A (mm)	Min.W (mm)	X1 with Pad (mm)	X1 w/o Pad (mm)
P43	114	214		
P50	132	232		
QU70	120	220	14	21
QU80	130	230		
A75	200	300		
A100	200	300		
A120	200	300		

Crane Rail Accessories - Through-bolted Rail Clip
TS1210/28 Series



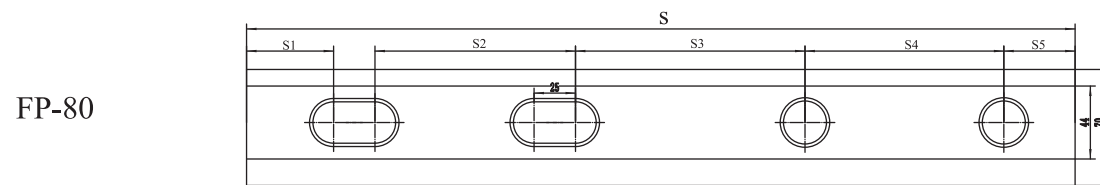
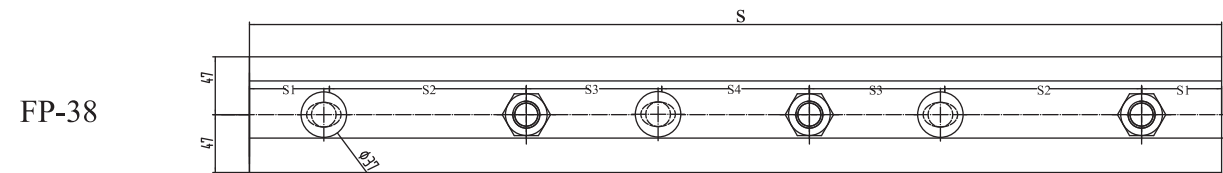
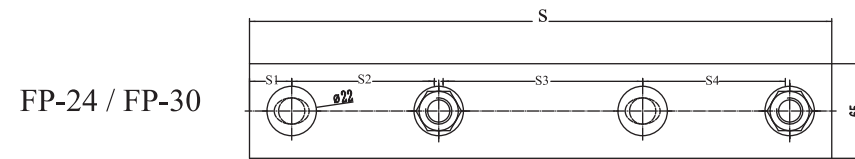
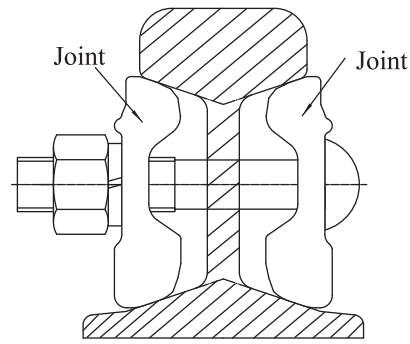
Rail Size	A (mm)	B (mm)	H (mm)	C with Pad (mm)	C w/o Pad (mm)
P15	80	43	80		
P22	94	51	94	14	21
A45	125	45	55		

Crane Rail Accessories - Through-bolted Rail Clip
TS1610/32 Series



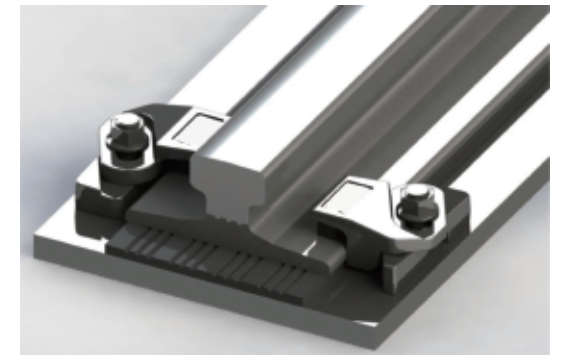
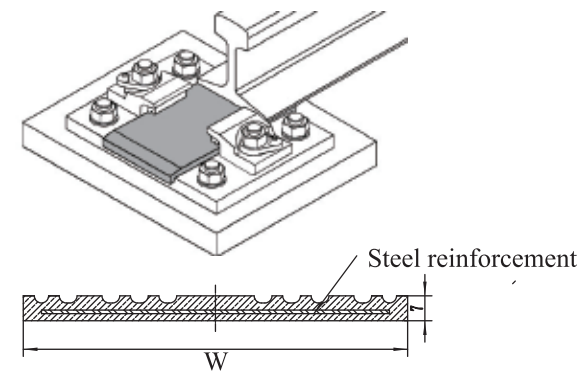
Rail Size	A (mm)	B (mm)	H (mm)	C with Pad (mm)	C w/o Pad (mm)
P15	80	43	80		
P18	80	40	94		
P22	94	50	94		
P24	92	107	51	14	21
P30	108	60	107		
A45	125	45	55		
A55	150	55	65		
A65	175	65	75		

Crane Rail Accessories - Fish Plate
FP series



Model	S (mm)	S1 (mm)	S2 (mm)	S3 (mm)	S4 (mm)	S5 (mm)	Rail Size
FP-24	400	29	98	137	98	-	P18 / P22 / P24
FP-30	490	36	128	127	128	-	P30
FP-38	790	65	160	110	120	-	P38 / P43
FP-80	500	52.5	121	138.5	120	43	QU70 / QU80

Crane Rail Accessories
Rubber Pad



Specification:

1. Pad thickness: 7mm +0.5mm
2. Shore hardness: 75 durometer plus or minus 5
3. Shore hardness after ageing: 75 durometer plus or minus 5
4. Temperature range: -40° F to +212° F
5. Ultimate tensile strength: 2500psi
6. Rebound resilience: 30%
7. Elongation: 250%
8. Permanent set: 5%
9. Length: 12m/roll or 0.6m/pc
10. EVA material is customized

Features

1. Reduce noise and structural vibration
2. Reduce rail wear and fatigue stresses
3. Reduce crane runway maintenance
4. Reduce stress in the runway structure and the crane
5. Totally resistant to water, oil, grease, mildew and fungus
6. Absorbs the uneven contact between the rail and runway
7. Protects the crane mechanism and increase working life of the wheels, bearing and axle.
8. Distributes the wheel load over a larger surface area
9. Available for all rail size

Model	W (mm)	Rail Size
PA7-108	108	P30 P38 P43
PA7-118	118	QU70
PA7-128	128	QU80
PA7-147	147	QU100
PA7-168	168	QU120
PA7-195	195	A100
PA7-215	215	A120 A150