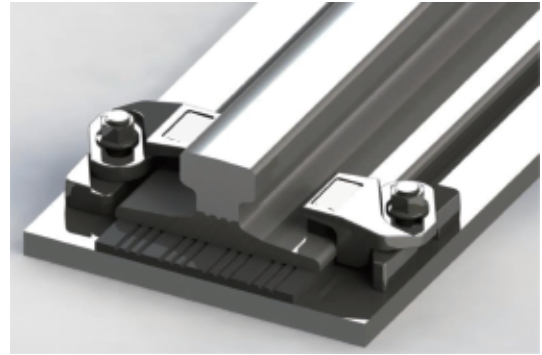
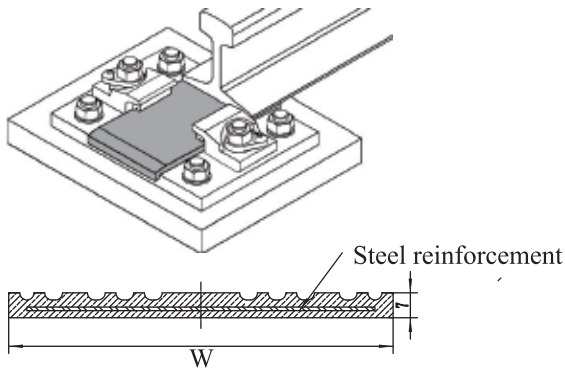


Crane Rail Accessories  
Rubber Pad



Specification:

1. Pad thickness: 7mm +0.5mm
2. Shore hardness: 75 durometer plus or minus 5
3. Shore hardness after ageing: 75 durometer plus or minus 5
4. Temperature range: -40° F to +212°F
5. Ultimate tensile strength: 2500psi
6. Rebound resilience: 30%
7. Elongation: 250%
8. Permanent set: 5%
9. Length: 12m/roll or 0.6m/pc
10. EVA material is customized

Features

1. Reduce noise and structural vibration
2. Reduce rail wear and fatigue stresses
3. Reduce crane runway maintenance
5. Reduce stress in the runway structure and the crane
6. Totally resistant to water, oil, grease, mildew and fungus
7. Absorbs the uneven contact between the rail and runway
8. Protects the crane mechanism and increase working life of the wheels, bearing and axle.
9. Distributes the wheel load over a larger surface area
10. Available for all rail size

Model	W (mm)	Rail Size
PA 7-108	108	P30
		P38
		P43
PA 7-118	118	QU70
PA 7-128	128	QU80
PA 7-147	147	QU100
PA 7-168	168	QU120
PA 7-195	195	A 100
PA 7-215	215	A 120
		A 150